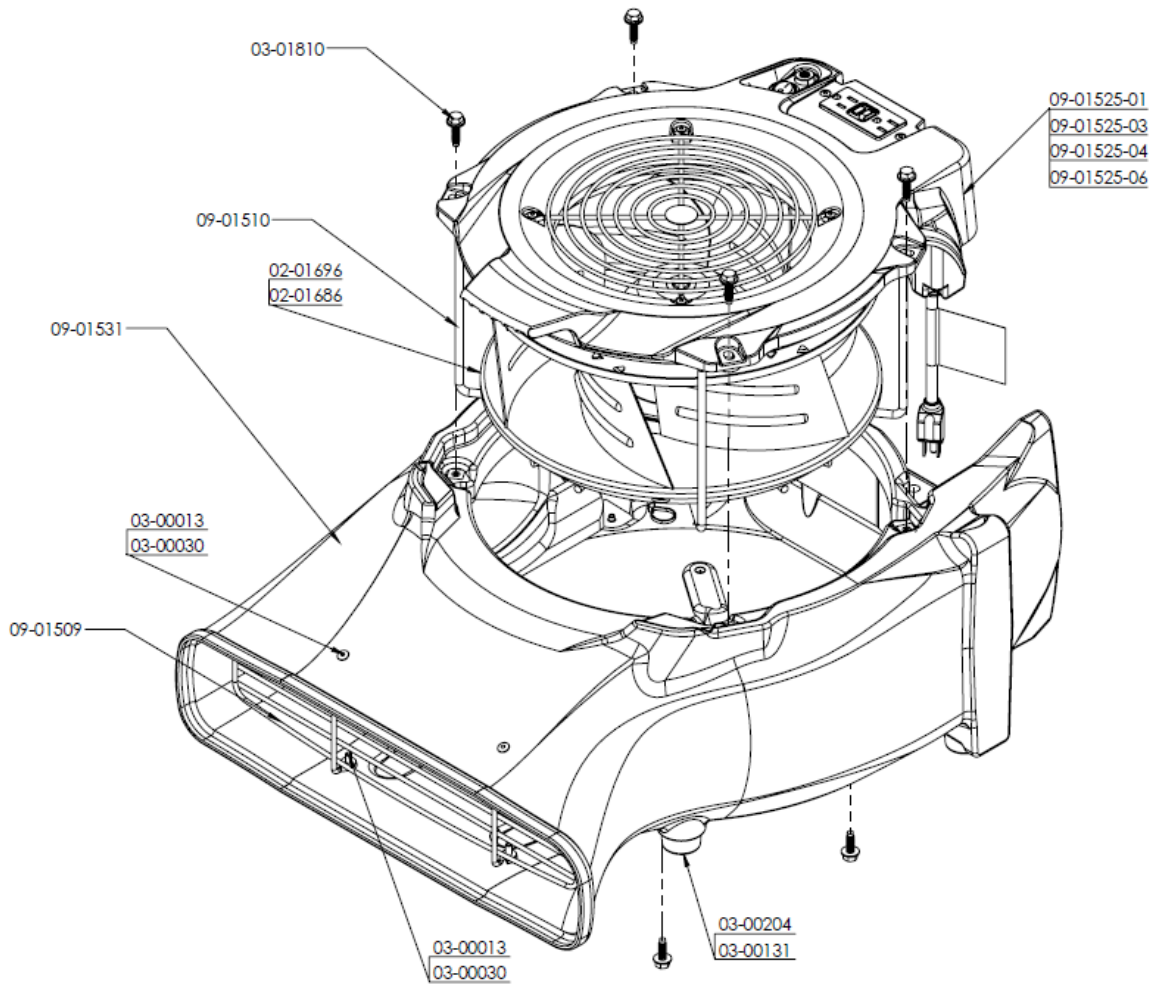


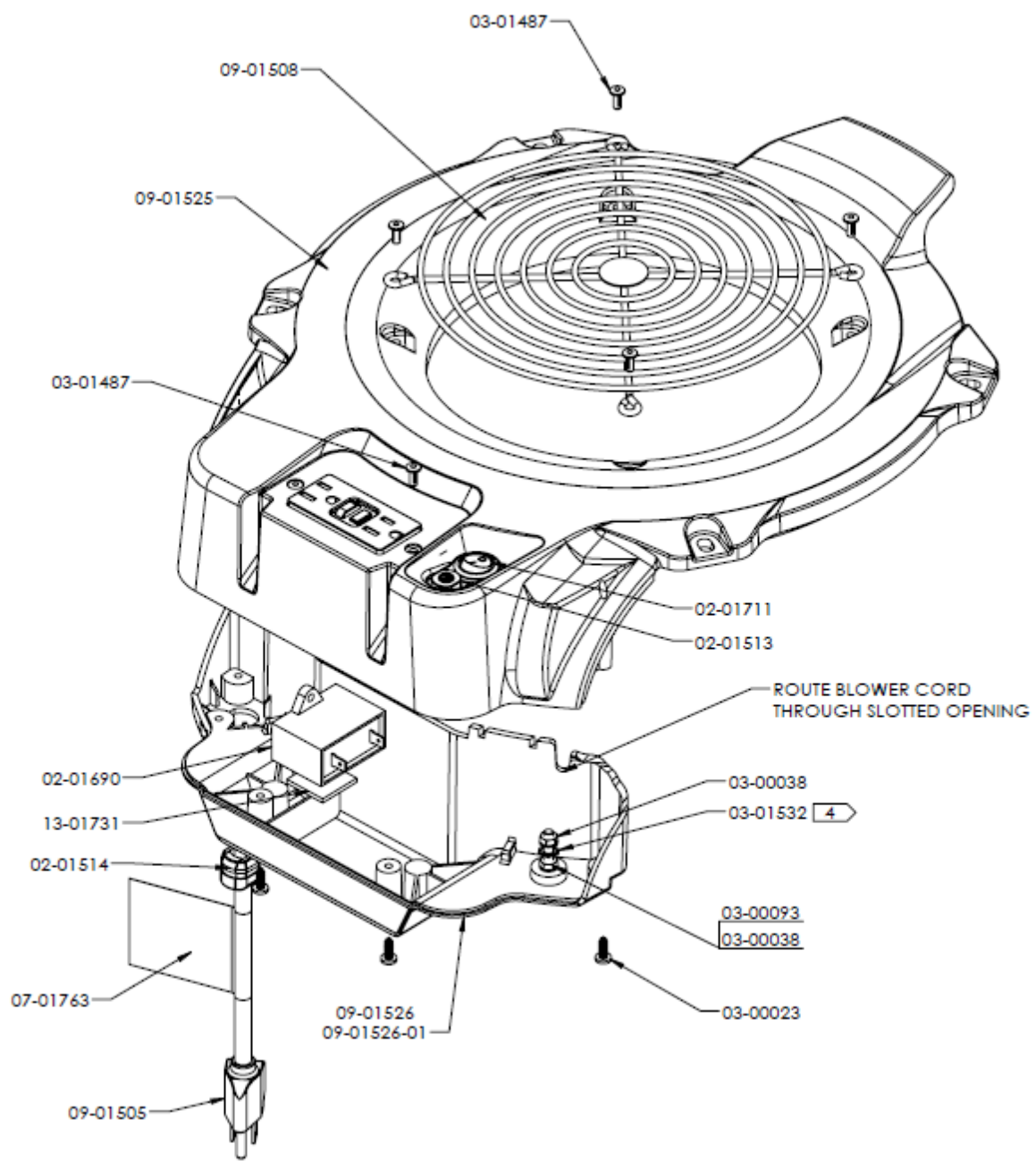
# F504 VELO 115/230V

## PARTS LIST



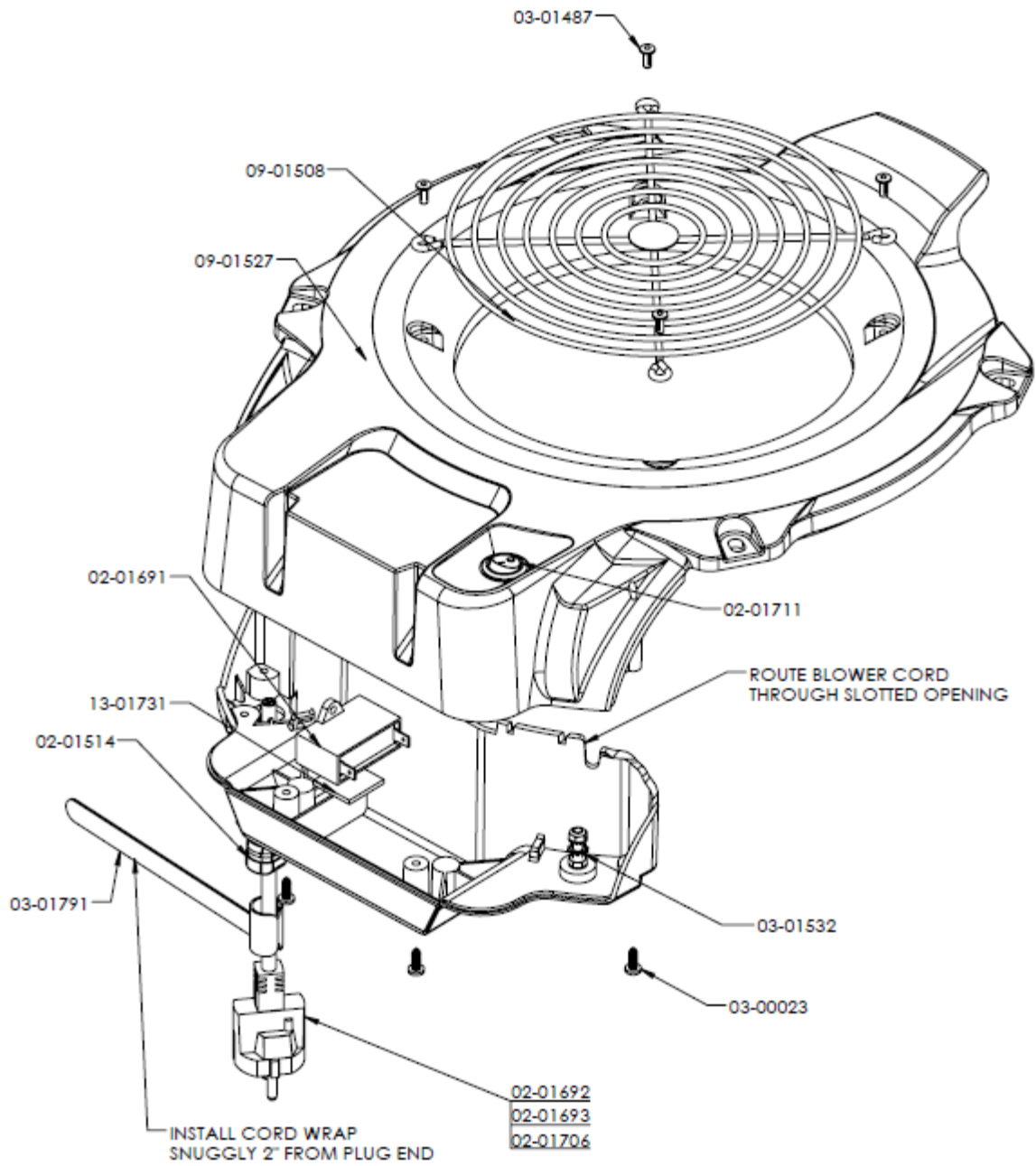
**CONTINUES ON NEXT PAGE**

| <b>PART NO.</b> | <b>QTY</b> | <b>DESCRIPTION</b>   |
|-----------------|------------|--|
| 02-01686        | 1          | BLOWER ASSY - MOTORIZED IMPELLER 115V 190W 1600 RPM 1SP VELO |
| 02-01696        | 1          | BLOWER ASSY - MOTORIZED IMPELLER 230V 124W 1300 RPM 1SP VELO |
| 03-00013        | 4          | WASHER - 3/16 RIVET .19 ID X .47 OD X .05 ZP                 |
| 03-00030        | 4          | RIVET - 3/16 X 1/2 AL/AL BLK ANOD                            |
| 03-00131        | 4          | FOOT - ROUND 3/16 ID X 1.25 OD X 5/8 RUBBER BLK              |
| 03-00204        | 4          | RIVET - 3/16 X 5/8 TRI FOLD AL/AL                            |
| 03-01810        | 4          | SCREW - M6 X 22MM HWH NYLOC ZP MATPOINT                      |
| 09-01509        | 1          | GRILL - OUTLET PC GL BLK VELO                                |
| 09-01510        | 1          | MOUNT - BLOWER WIRE FORM ZP STL VELO                         |
| 09-01525-01     | 1          | ELECTRICAL BOX ASSY – 115V VELO                              |
| 09-01525-03     | 1          | ELECTRICAL BOX ASSY - 230V VELO EU                           |
| 09-01525-04     | 1          | ELECTRICAL BOX ASSY - 230V VELO AU                           |
| 09-01525-06     | 1          | ELECTRICAL BOX ASSY - 230V VELO UK                           |
| 09-01531        | 1          | HOUSING - POLYETHYLENE VELO FISHER BLUE                      |



115V

| <b>PART NO.</b> | <b>QTY</b> | <b>DESCRIPTION</b>                              |
|-----------------|------------|---|
| 02-01513        | 1          | CIRCUIT BREAKER – 12A THERMAL SNAP              |
| 02-01514        | 1          | STRAIN RELIEF – LIQUID TIGHT .370 DIA X .13 BLK |
| 02-01690        | 1          | CAPACITOR – 16MFD 250V W/MTG BRKT               |
| 02-01711        | 1          | SWITCH – ROCKER SPST ROUND                      |
| 03-00023        | 5          | SCREW - #8 X ½ PHIL PH ZP                       |
| 03-00038        | 2          | NUT - #10-24 W/STAR WASHER ZP                   |
| 03-00093        | 1          | SCREW - #10-24 X 1 SER HWH ZP                   |
| 03-01487        | 6          | RIVET – 5/32 X ¼ TRI FOLD AL/AL BLK             |
| 07-01763        | 1          | LABEL – WARNING POWER CORD FANS                 |
| 09-01505        | 1          | POWER CORD ASSY – 14/3 SJTW 5015P 15FT VELO     |
| 09-01508        | 1          | GRILL – INLET PC GL BLK VELO                    |
| 09-01526        | 1          | PANEL – ELECTRICAL BOX BOTTOM ABS BLK VELO      |
| 09-01529        | 1          | ENCLOSURE – ELECTRICAL BOX INLET RING 115V VELO |
| 13-01731        | 1          | TAPE – 1 IN WIDE DOUBLE SIDED MTG HEAVY DUTY    |

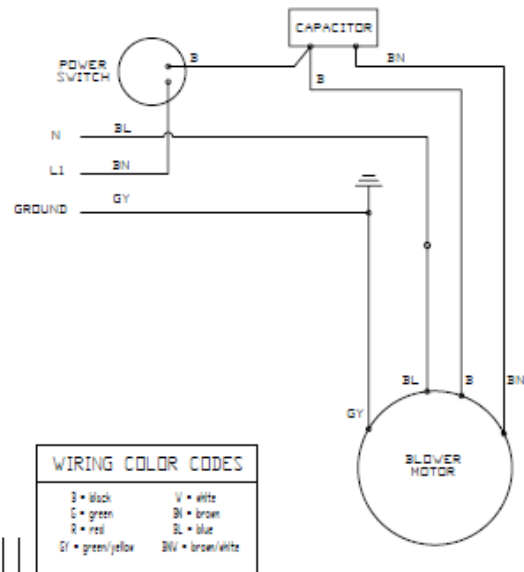
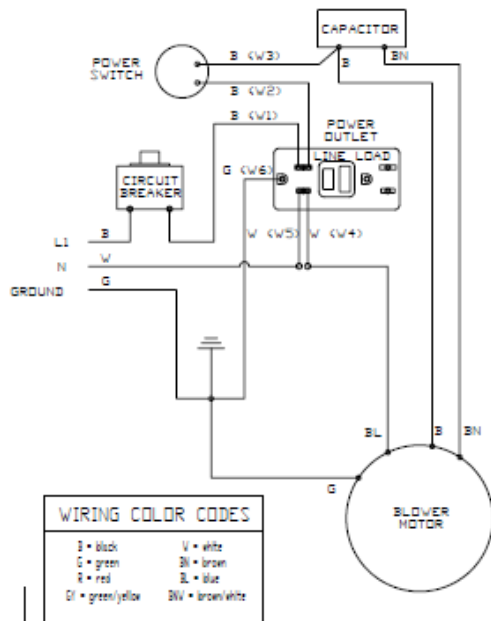


230V

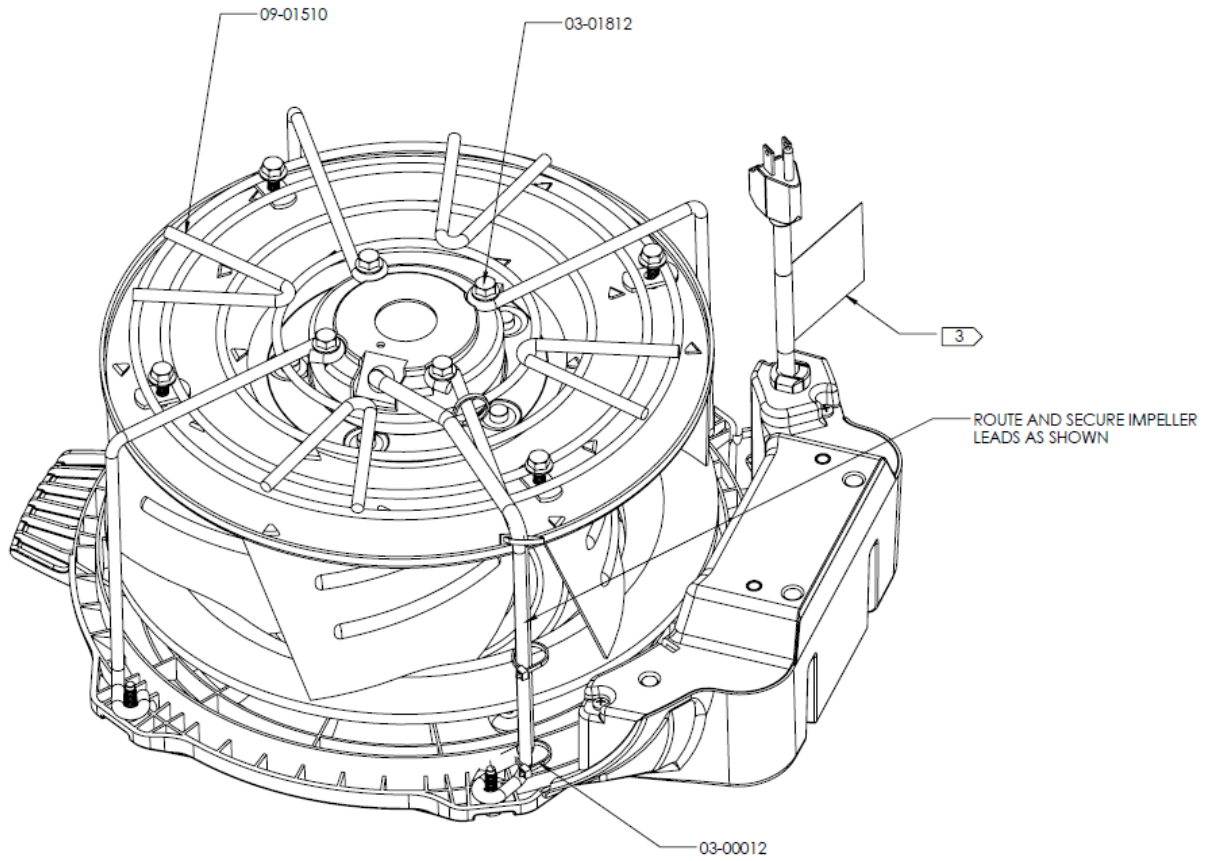
| <b>PART NO.</b> | <b>QTY</b> | <b>DESCRIPTION</b>                                  |
|-----------------|------------|---|
| 02-01514        | 1          | STRAIN RELIEF – LIQUID TIGHT .370 DIA X .13 BLK     |
| 02-01691        | 1          | CAPACITOR – 16MFD 250V W/MTG BRKT                   |
| 02-01692        | 1          | POWER CORD ASSY – 3 X 1.0MM HO7RNF CEE7/7 16FT VELO |
| 02-01693        | 1          | POWER CORD ASSY – 3 X 1.00MM HO7RNF AS 3112         |
| 02-01706        | 1          | POWER CORD ASSY – 3 X 1.0MM HO7RNF BS1363 16FT VELO |
| 02-01711        | 1          | SWITCH – ROCKER SPST ROUND                          |
| 03-00023        | 5          | SCREW - #8 X ½ PHIL PH ZP                           |
| 03-01487        | 4          | RIVET – 5/32 X ¼ TRI FOLD AL/AL BLK                 |
| 03-01532        | 2          | WASHER - #10 ANSI EXTERNAL TOOTH ZP                 |
| 03-01791        | 1          | STRAP – VELCRO CABLE TIE 8.00 X .50                 |
| 09-01508        | 1          | GRILL – INLET PC GL BLK VELO                        |
| 09-01527        | 1          | ENCLOSURE – ELECTRICAL BOX INLET RING 230V VELO     |
| 13-01731        | 1          | TAPE – 1 IN WIDE DOUBLE SIDED MTG HEAVY DUTY        |

© VELO - 115V 60HZ WIRING DIAGRAM

VELO - 230V 50HZ WIRING DIAGRAM

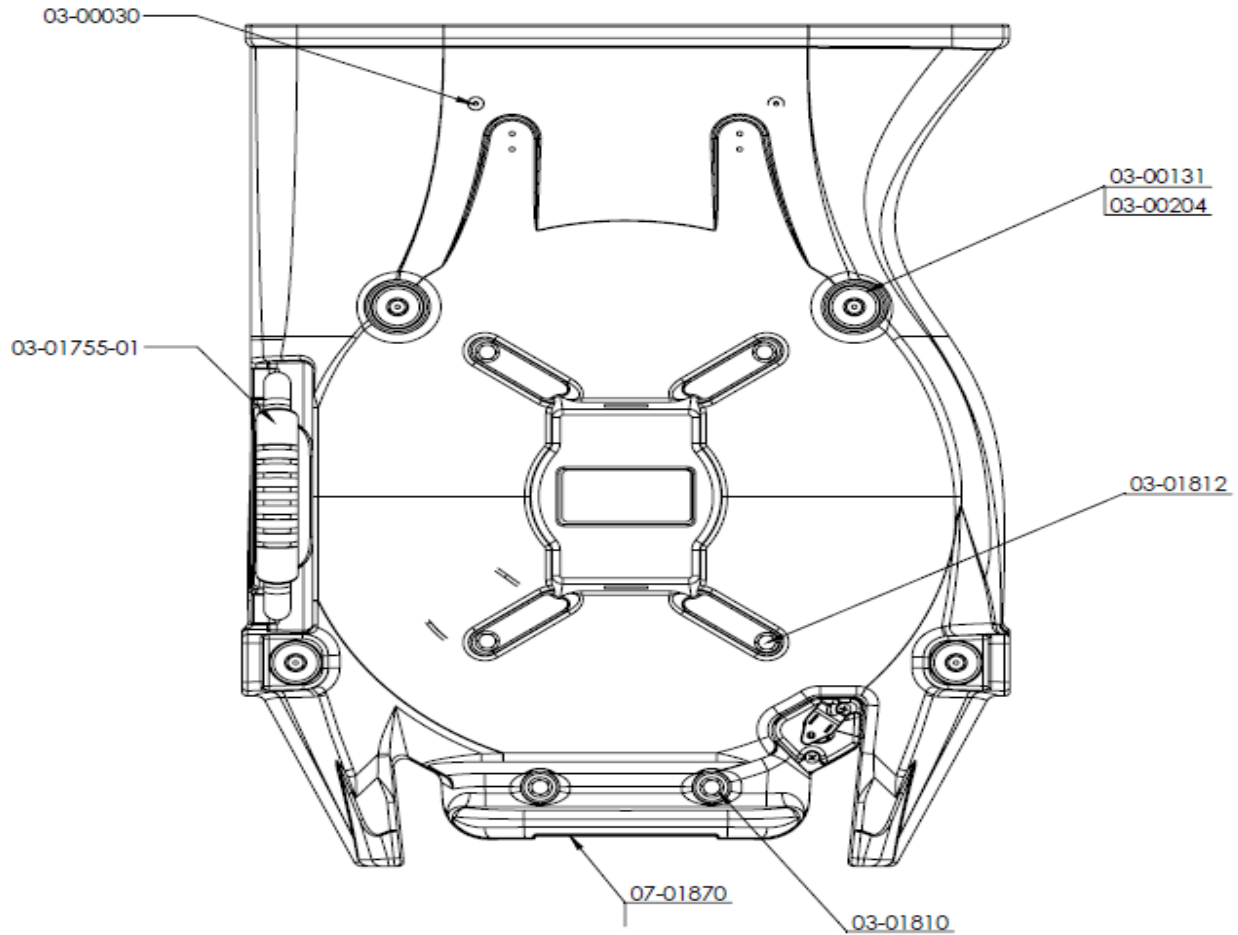


## INSIDE VIEW



| <b>PART NO.</b> | <b>QTY</b> | <b>DESCRIPTION</b>                      |
|-----------------|------------|---|
| 03-00012        | 4          | CABLE TIE - 4 NYLON                     |
| 03-01812        | 8          | SCREW - M6 X 18MM HWH NYLOC ZP MATPOINT |
| 09-01510        | 1          | MOUNT - BLOWER WIRE FORM ZP STL VELO    |

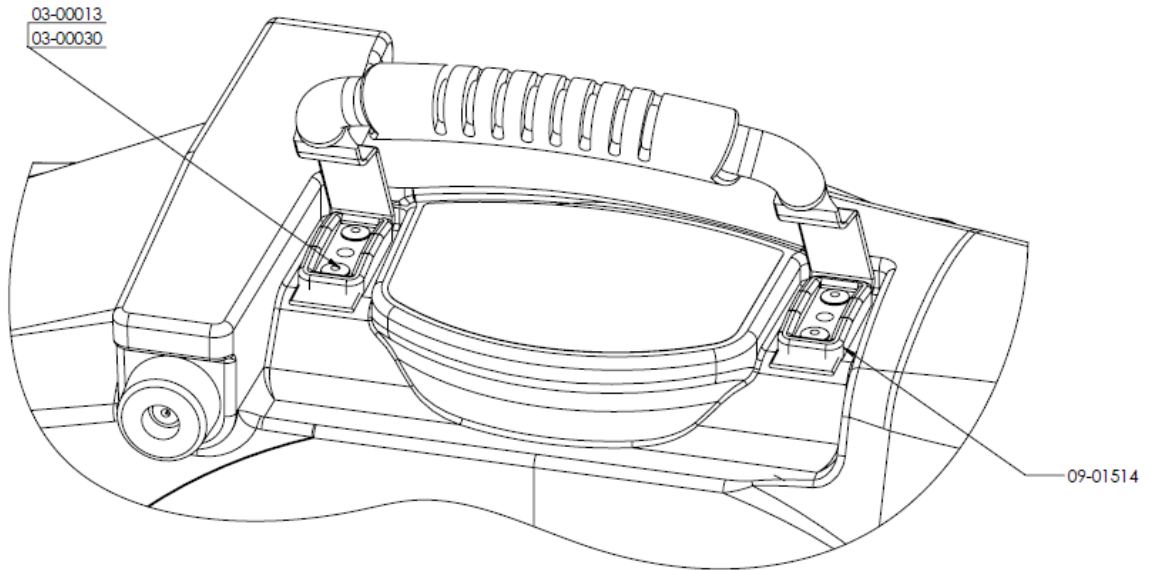
**BOTTOM VIEW**



| <b>PART NO.</b> | <b>QTY</b> | <b>DESCRIPTION</b>                              |
|-----------------|------------|---|
| 03-00030        | 4          | RIVET - 3/16 X 1/2 AL/AL BLK ANOD               |
| 03-00131        | 4          | FOOT - ROUND 3/16 ID X 1.25 OD X 5/8 RUBBER BLK |
| 03-00204        | 4          | RIVET - 3/16 X 5/8 TRI FOLD AL/AL               |
| 03-01755-01     | 1          | HANDLE - GRAB WITH LIFTING STRAP                |
| 03-01810        | 2          | SCREW - M6 X 22MM HWH NYLOC ZP MATPOINT         |
| 03-01812        | 4          | SCREW - M6 X 18MM HWH NYLOC ZP MATPOINT         |
| 07-01870        | 1          | LABEL - WARNING VELO                            |
| 07-01896        | 1          | LABEL - WARNING HEYLO                           |

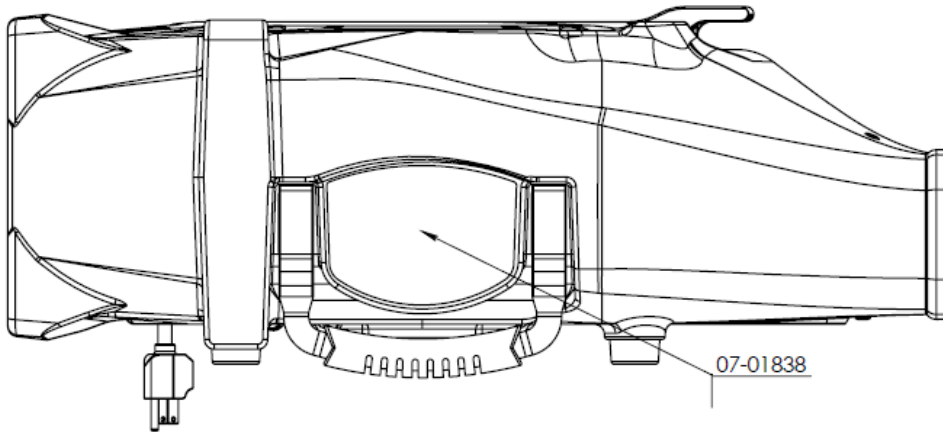


### HANDLE VIEW



| <b>PART NO.</b> | <b>QTY</b> | <b>DESCRIPTION</b>                           |
|-----------------|------------|--|
| 03-00013        | 4          | WASHER - 3/16 RIVET .19 ID X .47 OD X .05 ZP |
| 03-00030        | 4          | RIVET - 3/16 X 1/2 AL/AL BLK ANOD            |
| 09-01514        | 2          | CLIP - HANDLE MTG NYLON BLK                  |

**SIDE VIEW (LABEL)**



| <b>PART NO.</b> | <b>QTY</b> | <b>DESCRIPTION</b>   |
|-----------------|------------|----------------------|
| 07-01838        | 1          | LABEL - PRODUCT VELO |